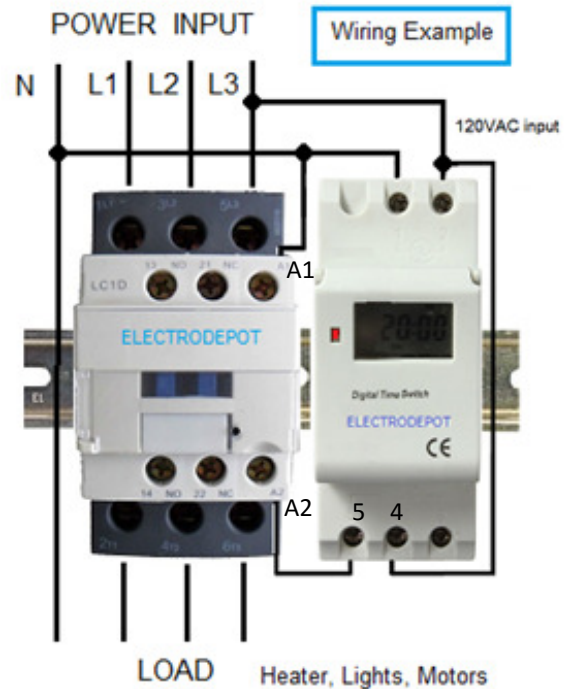
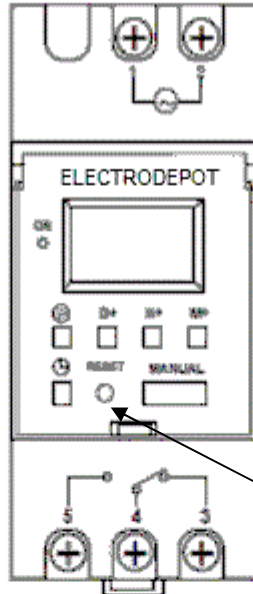


7 Days Timer

■ DISPLAY



To set the **Time** for the first time Apply power, then hold the RESET Button for 3 seconds

■ Operating Instruction:

1. To start switch: press reset Key, At the first time, if you want to the present time, please press "⊕" On board, then press D+, H+, M+ to adjust the number to the present time.
2. Enter into programming as follows:

Step	Key	Programming
1	Press P	Setting1 ON time(display 1on)
2	Press H+/M+	Setting hours and minutes
3	Press D+	To select same every day,or different time each day
4	Press P	Setting 1 off time (display 1 off)
5	Press H+/M+	Setting hours and minutes turn off time
6	Press D+	If you want the same every day, you need not press this key
7	Repeat step2-6	Set 2-17 on/off time
8	Press ⊕	End

If you do not require 17 settings,press "⊕" to the end.

■ NOTE:

- Time setting should according to the time sequence, couldn't be set crossly
- System with quit automatically if there's no operating within 10 seconds and no data is saved.
- Function 3,4,5 can not be used simultaneously.

CAUTION: Contact a certified professional for the installation of this devices